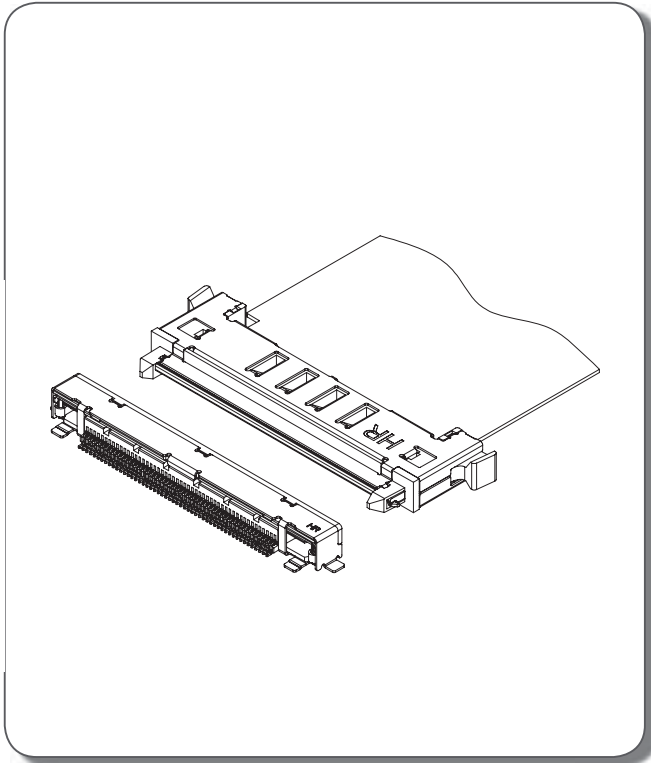




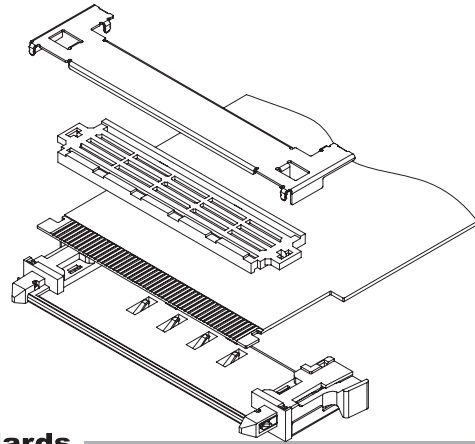
# F0506 SERIES

0.50mm pitch FFC connector(Assembly parts)



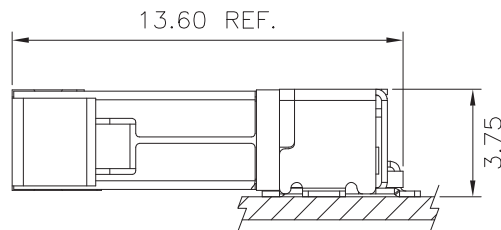
## Specifications

Temperature range: -25°C ~ +85°C  
\*Contact H.R for details\*



## Standards

## Assembly layout



## Ordering code

① F0506 ② H ③ A ④ -51P ⑤ -5

- ① Series No.
- ② H=Housing
- ③ A=Lock type
- ④ No. of circuits
- ⑤ Option code:  
Blank=Normal type  
-5=Type 5  
-C=Cap for Normal type  
-C5=Cap for Type 5

① TC ② F0506HA ③ -T ④ -51P ⑤ -QS0

- ① Category code
- ② Series No.
- ③ T=Top cover
- ④ No. of circuits
- ⑤ Material code



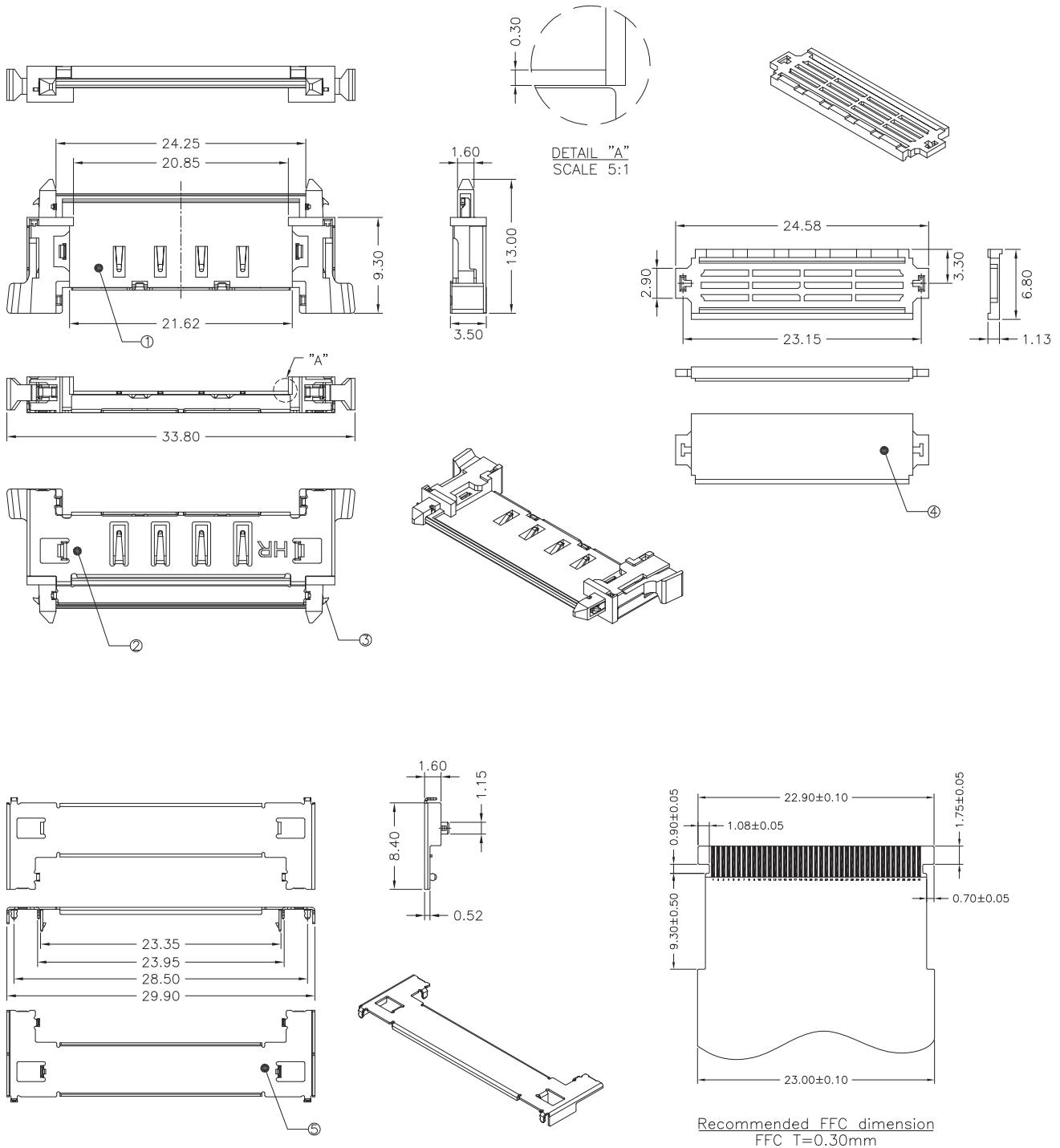
# F0506 SERIES

0.50mm pitch FFC connector(Assembly parts)

## F0506HA-41P

0.50mm pitch Connector For FFC

### Reference Informations:

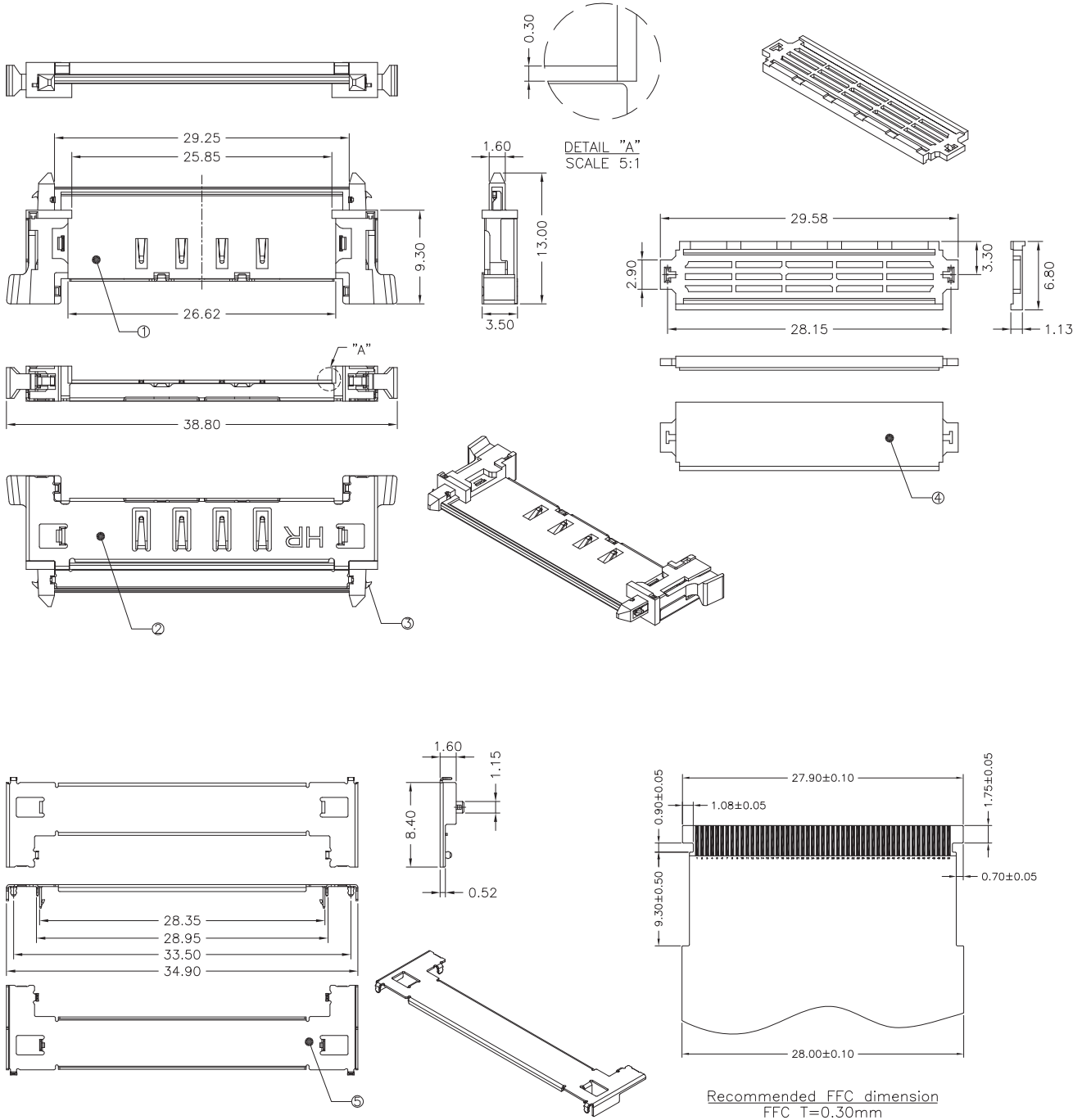


No.	Part No.	Description	Material	Color
1	F0506HA-41P	Insulator	Nylon 46,UL94V-0	Black
2		Ground plate	Stainless	-----
3		Lock lever	Stainless	-----
4	F0506HA-41P-C	Cap	Nylon 46,UL94V-0	Black
5	TCF0506HA-T-41P-QS0	Top cover	Stainless	-----

Unit:mm

# F0506HA-51P

## Reference Informations:



No.	Part No.	Description	Material	Color
1	F0506HA-51P	Insulator	Nylon 46,UL94V-0	Black
2		Ground plate	Stainless	-----
3		Lock lever	Stainless	-----
4	F0506HA-51P-C	Cap	Nylon 46,UL94V-0	Black
5	TCF0506HA-T-51P-QS0	Top cover	Stainless	-----

Unit:mm



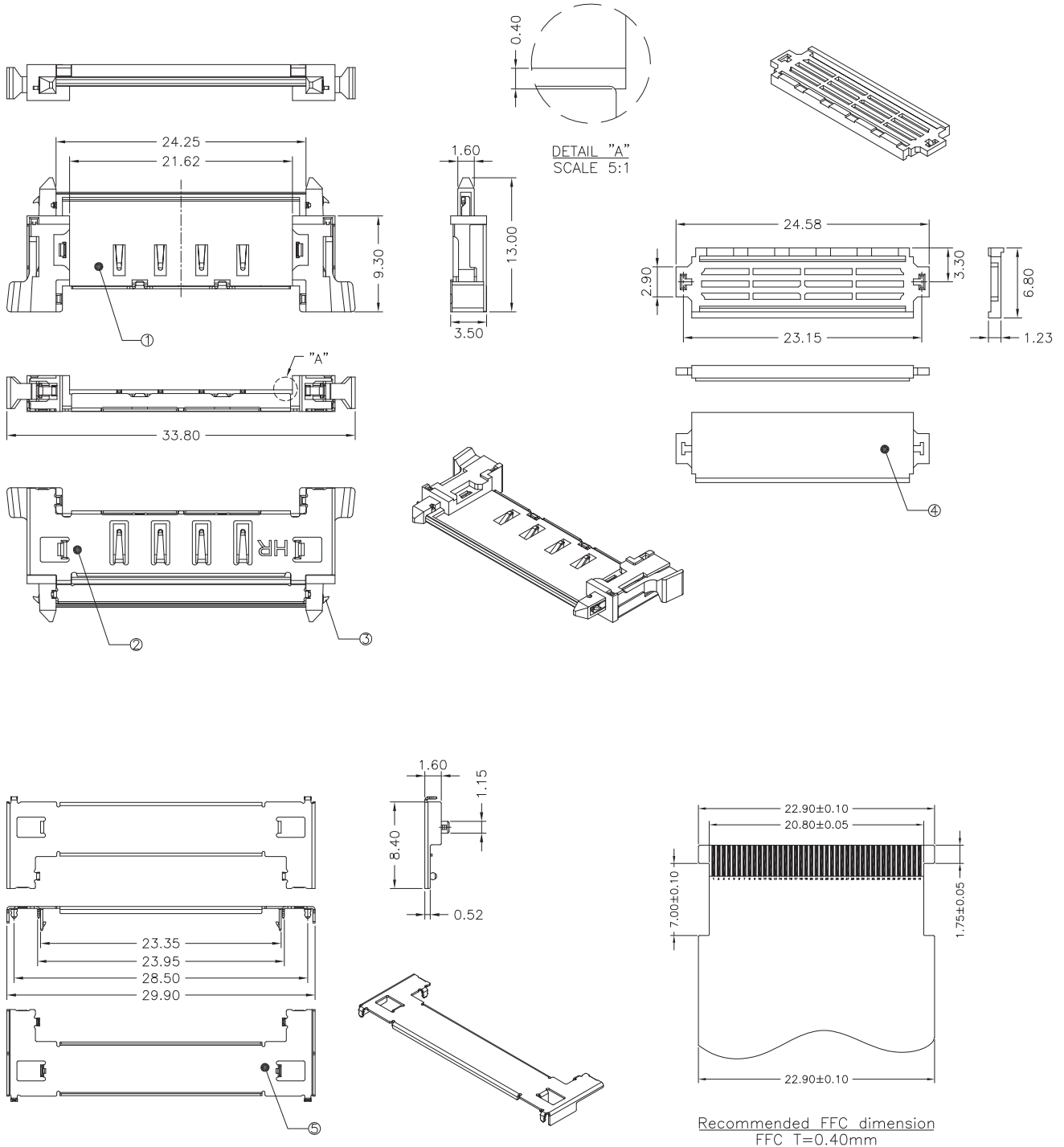
# F0506 SERIES

0.50mm pitch FFC connector(Assembly parts)

## F0506HA-41P-5

0.50mm pitch Connector For FFC

### Reference Informations:



No.	Part No.	Description	Material	Color
1	F0506HA-41P-5	Insulator	Nylon 46,UL94V-0	Black
2		Ground plate	Stainless	-----
3		Lock lever	Stainless	-----
4	F0506HA-41P-C5	Cap	Nylon 46,UL94V-0	Black
5	TCF0506HA-T-41P-QS0	Top cover	Stainless	-----

Unit:mm



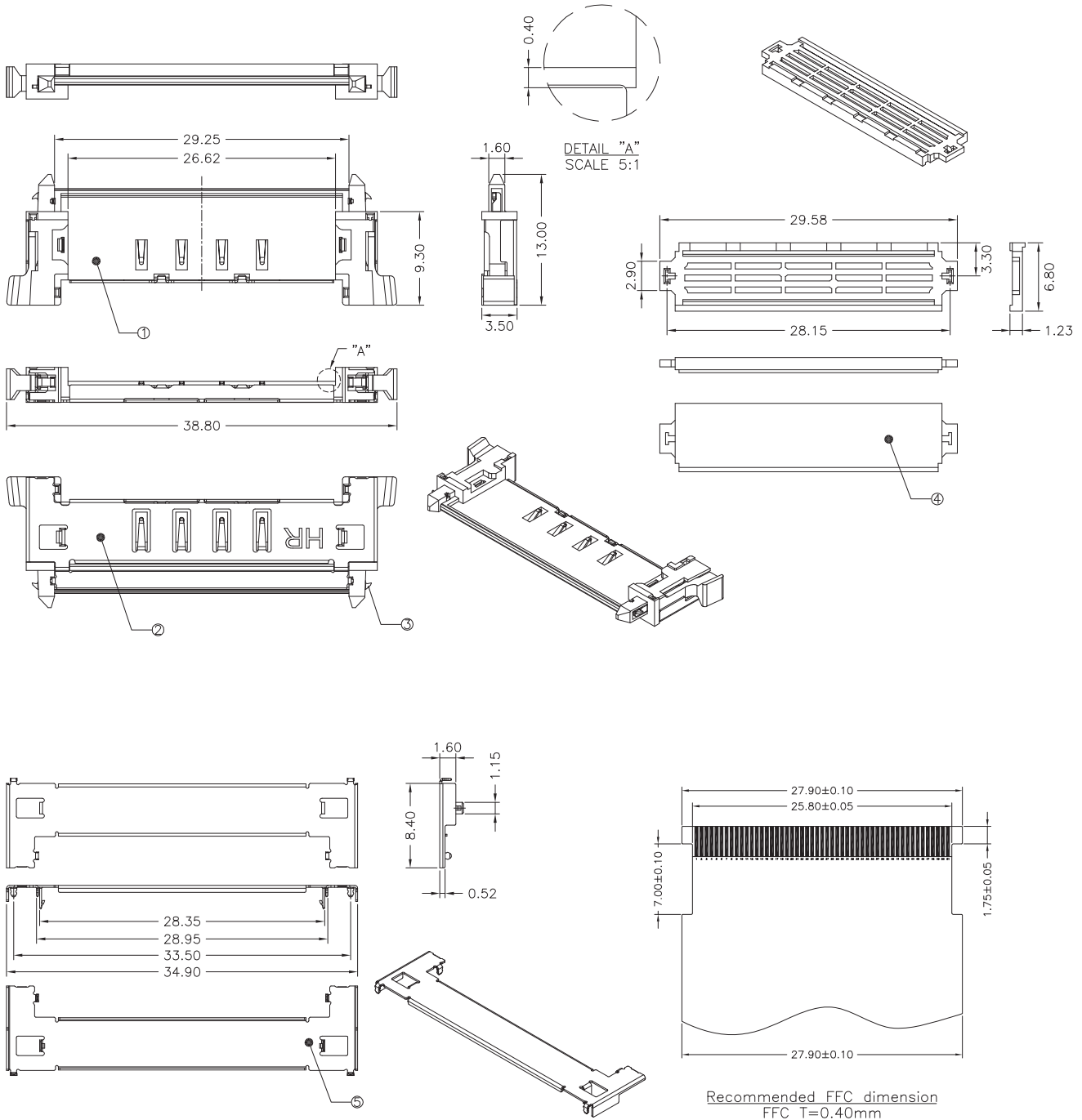
# F0506 SERIES

0.50mm pitch FFC connector(Assembly parts)

## F0506HA-51P-5

0.50mm pitch Connector For FFC

### Reference Informations:



No.	Part No.	Description	Material	Color
1	F0506HA-51P-5	Insulator	Nylon 46,UL94V-0	Black
2		Ground plate	Stainless	-----
3		Lock lever	Stainless	-----
4	F0506HA-51P-C5	Cap	Nylon 46,UL94V-0	Black
5	TCF0506HA-T-51P-QS0	Top cover	Stainless	-----

Unit:mm